

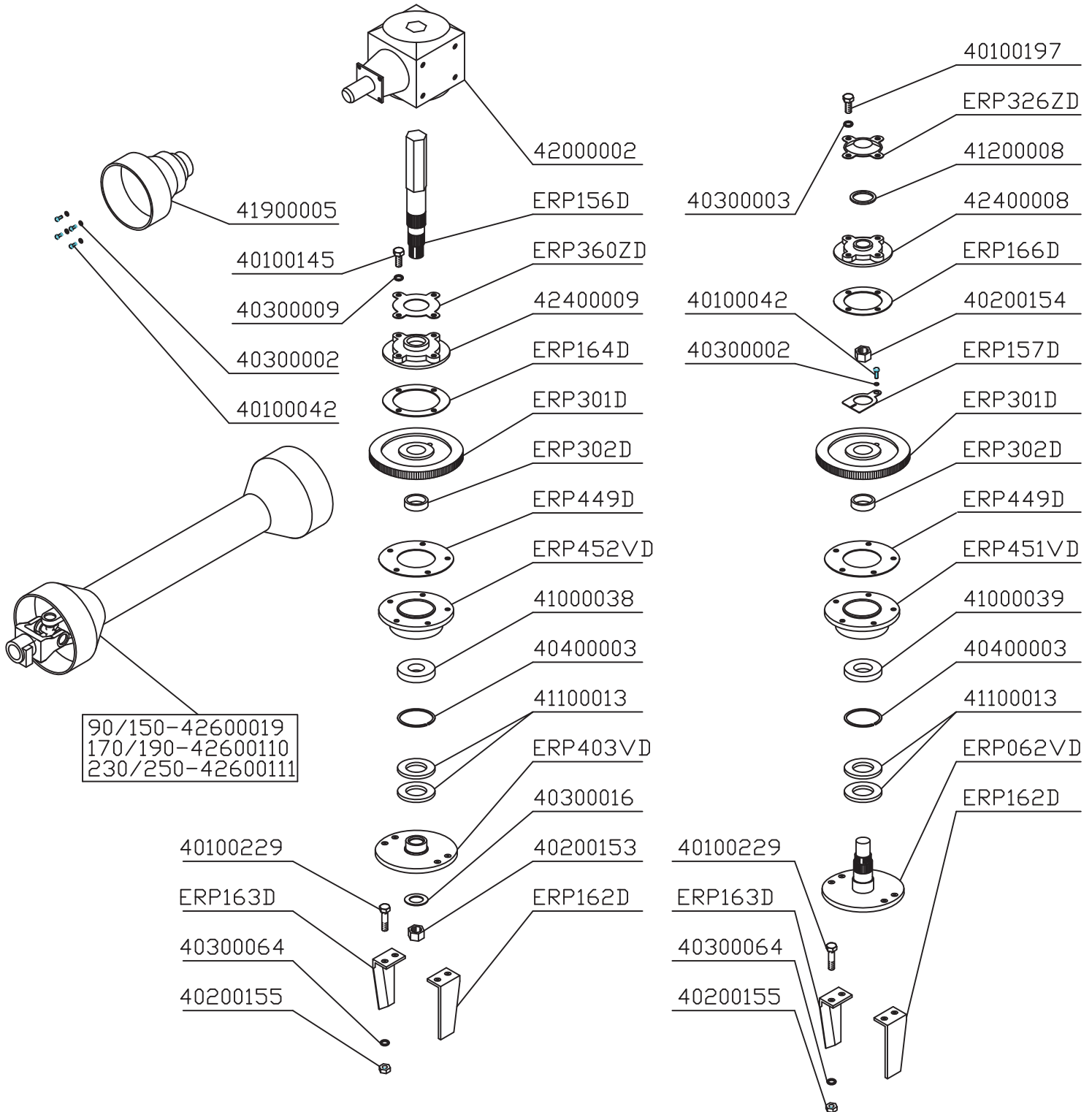


ROTEX H

170 - 190 - 230 - 250

Erpice Rotante
Rotary Harrow
Herse Rotative

TRASMISSIONE - DRIVE TRAIN COMPONENTS - TRANSMISSION (ROTEX 170 - 190)



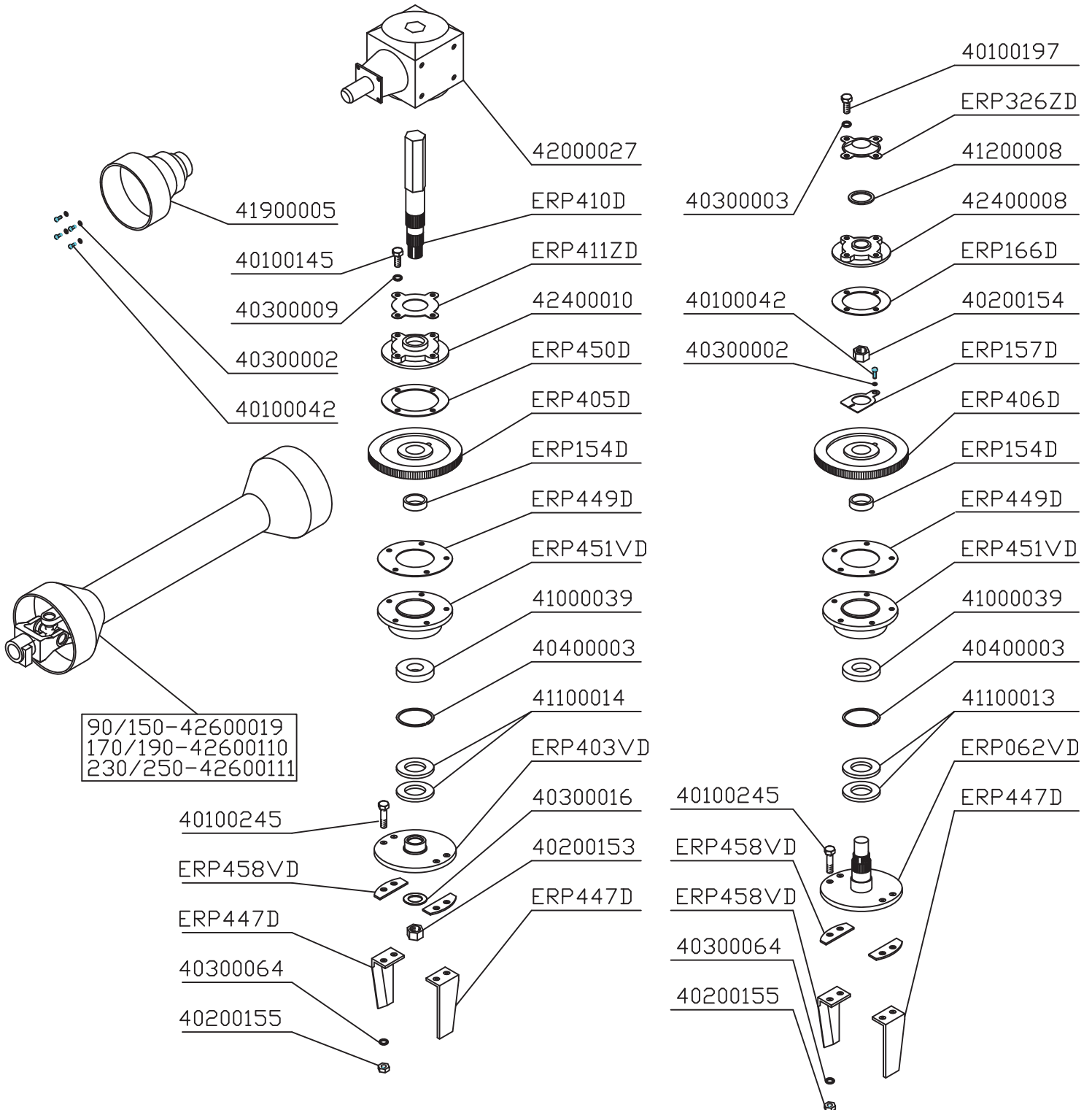


ROTEX H

170 - 190 - 230 - 250

Erpice Rotante
Rotary Harrow
Herse Rotative

TRASMISSIONE - DRIVE TRAIN COMPONENTS - TRANSMISSION (ROTEX 170 - 190)



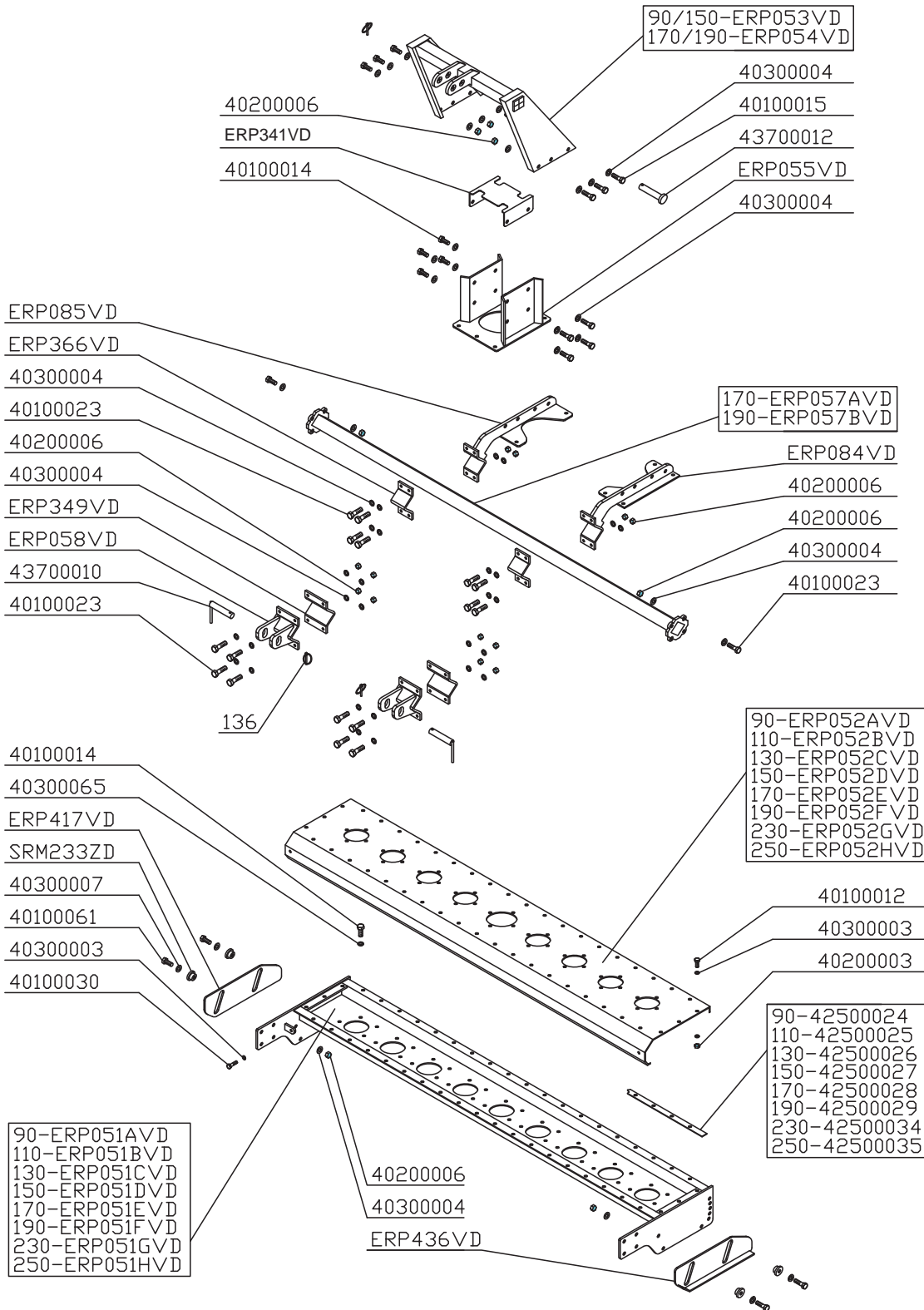


ROTEX H

170 - 190 - 230 - 250

Erpice Rotante
Rotary Harrow
Herse Rotative

TELAIO - FRAME - CHASSIS (ROTEX 170 - 190)



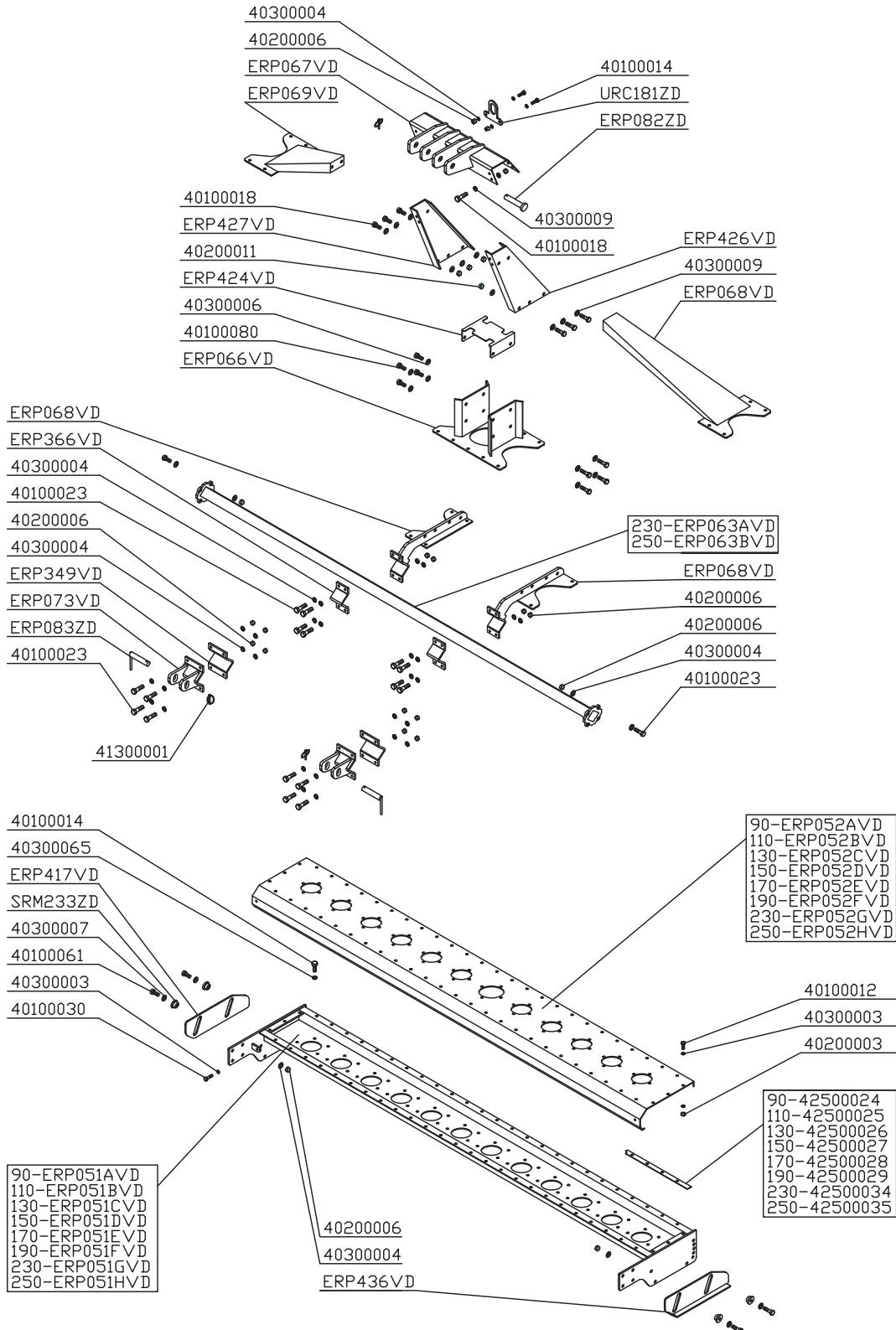


ROTEX H

170 - 190 - 230 - 250

Erpice Rotante
Rotary Harrow
Herse Rotative

TELAIO - FRAME - CHASSIS (ROTEX 230 - 250)



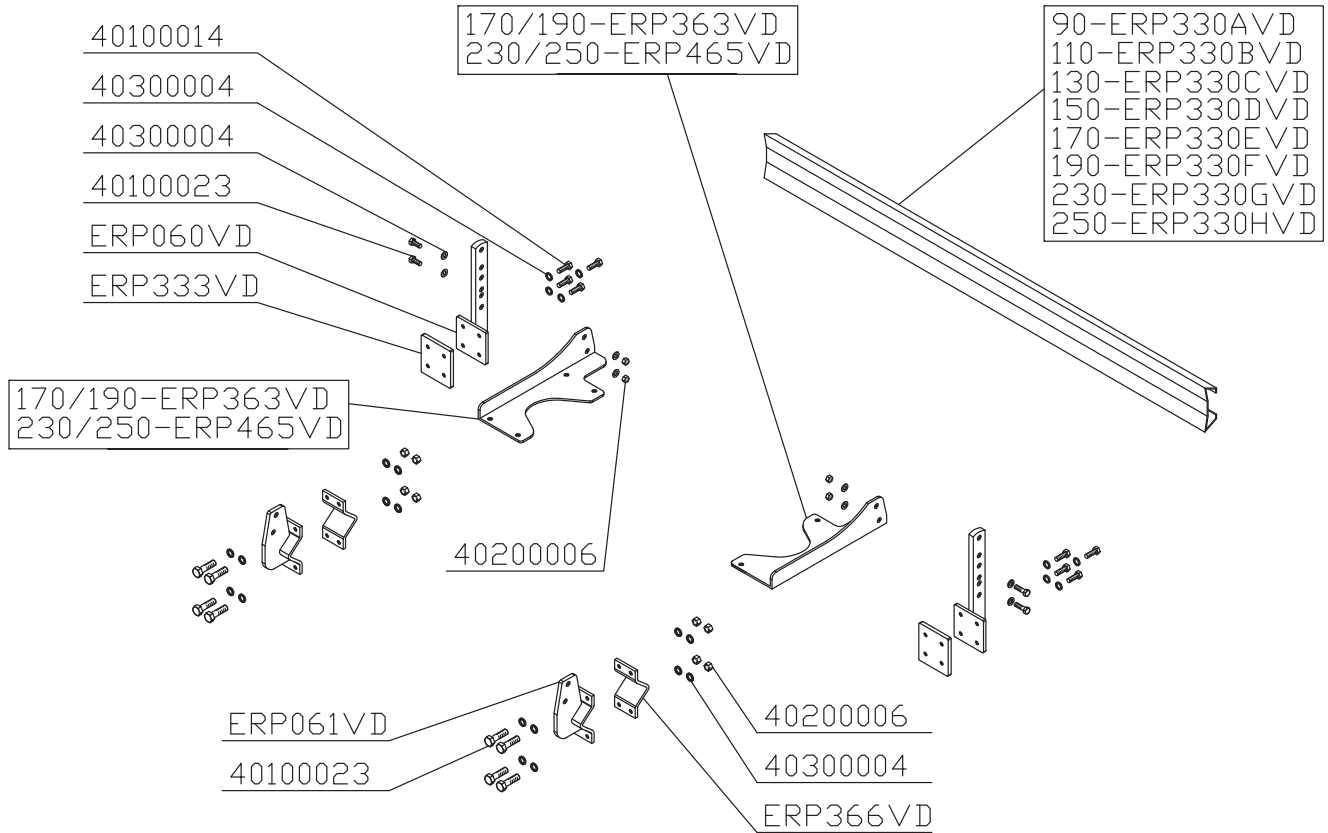


ROTEX H

170 - 190 - 230 - 250

Erpice Rotante
Rotary Harrow
Herse Rotative

LAMA LIVELLATRICE - LEVELLING BLADE - LAME NIVELEUSE



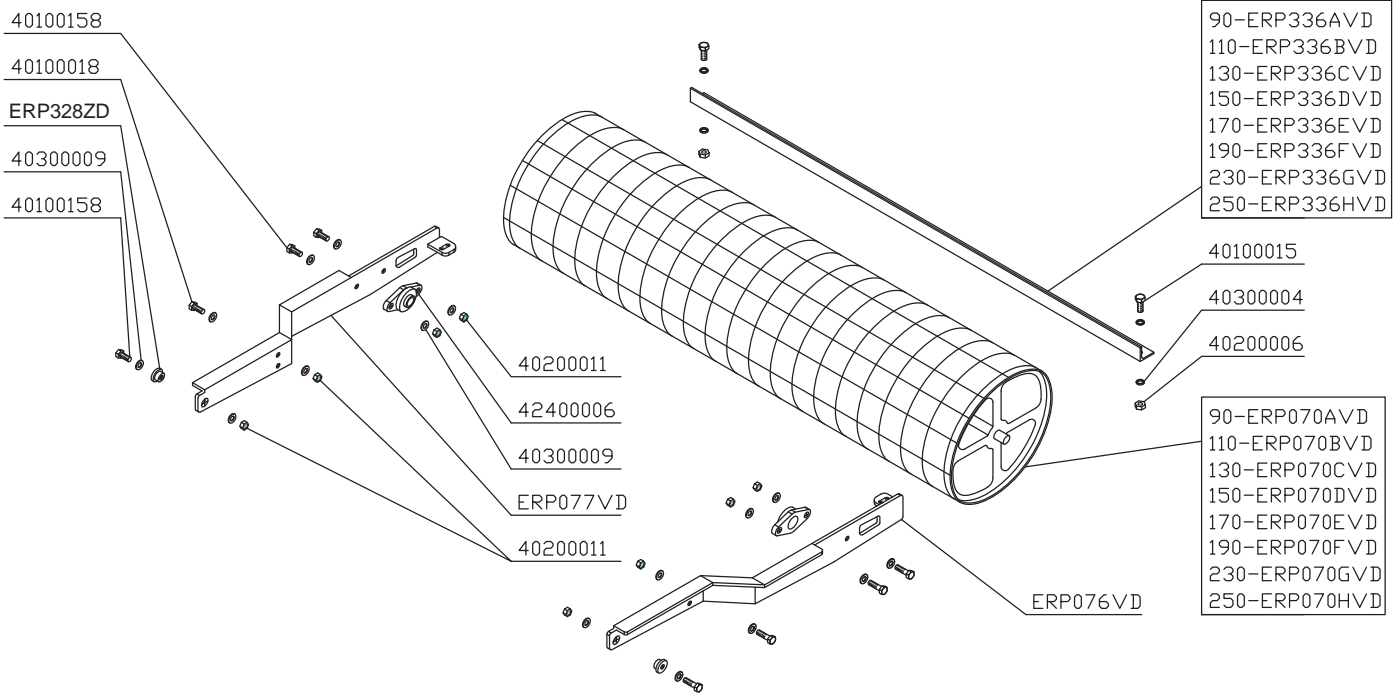


ROTEX H

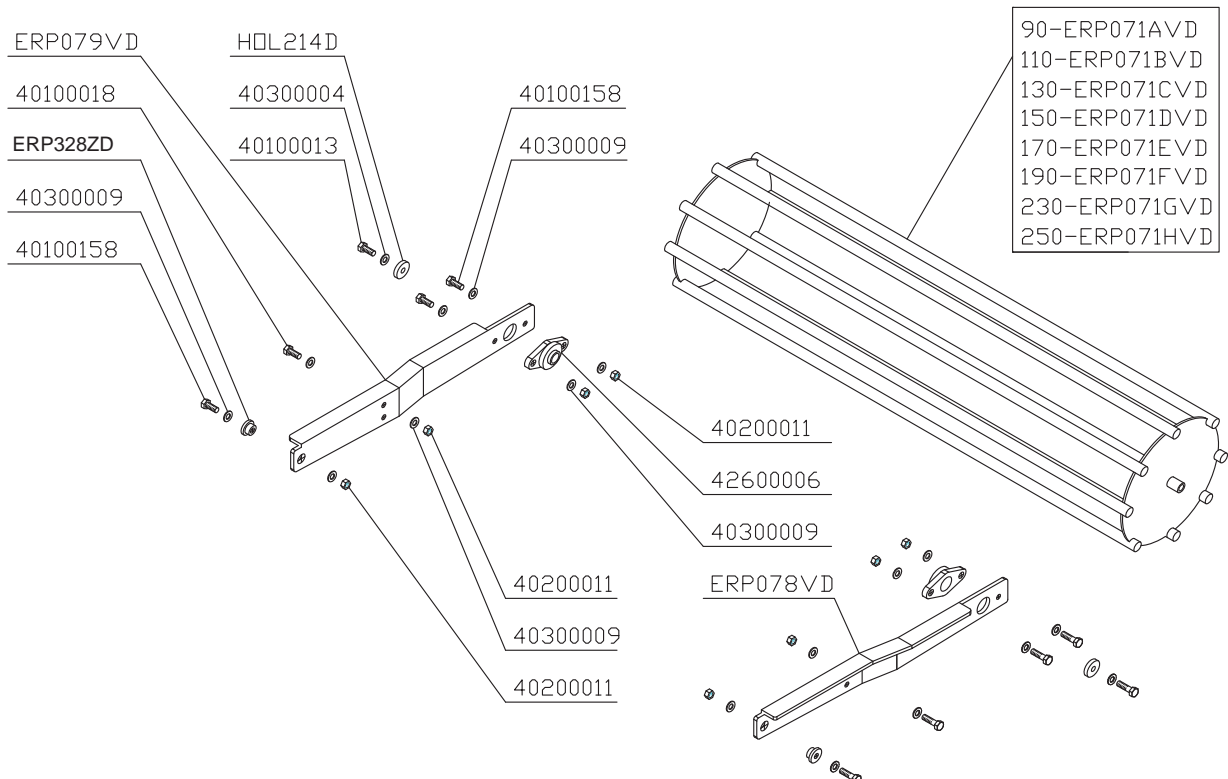
170 - 190 - 230 - 250

Erpice Rotante
Rotary Harrow
Herse Rotative

RULLO GRIGLIA - WIRE ROLLER - ROULEAU GRILLE



RULLO GABBIA - CAGE ROLLER - ROULEAU CAGE



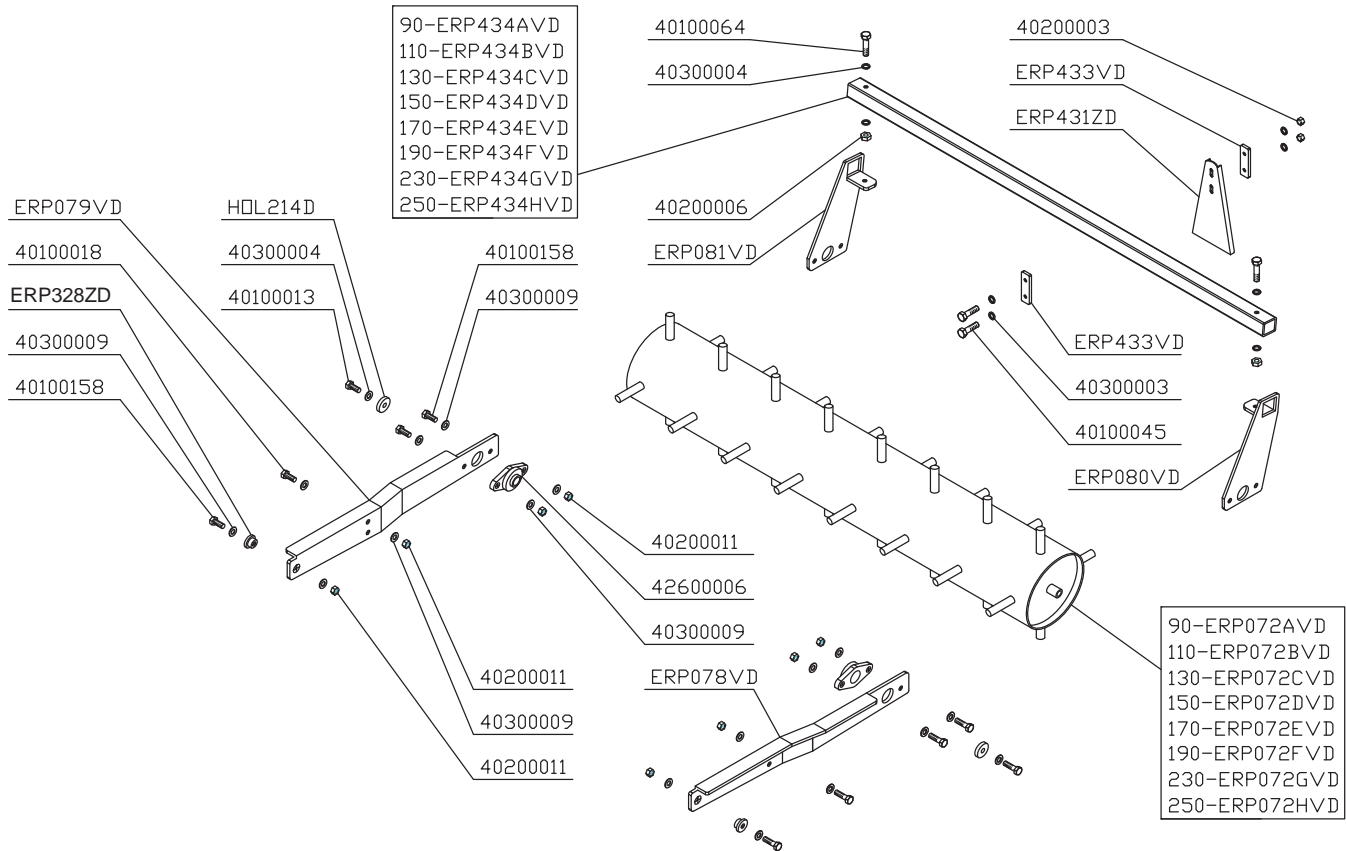


ROTEX H

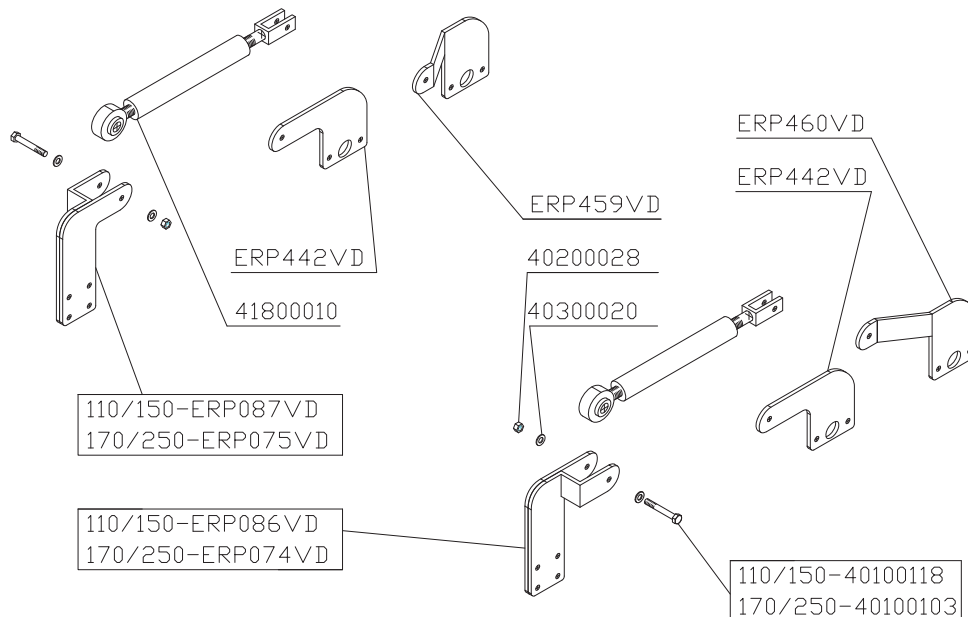
170 - 190 - 230 - 250

Erpice Rotante
Rotary Harrow
Herse Rotative

RULLO SPUNZONI - SPIKED ROLLER - ROULEAU POINTES



SOLLEVATORE RULLO - ROLLER LIFTING - ELEVATEUR ROULEAU



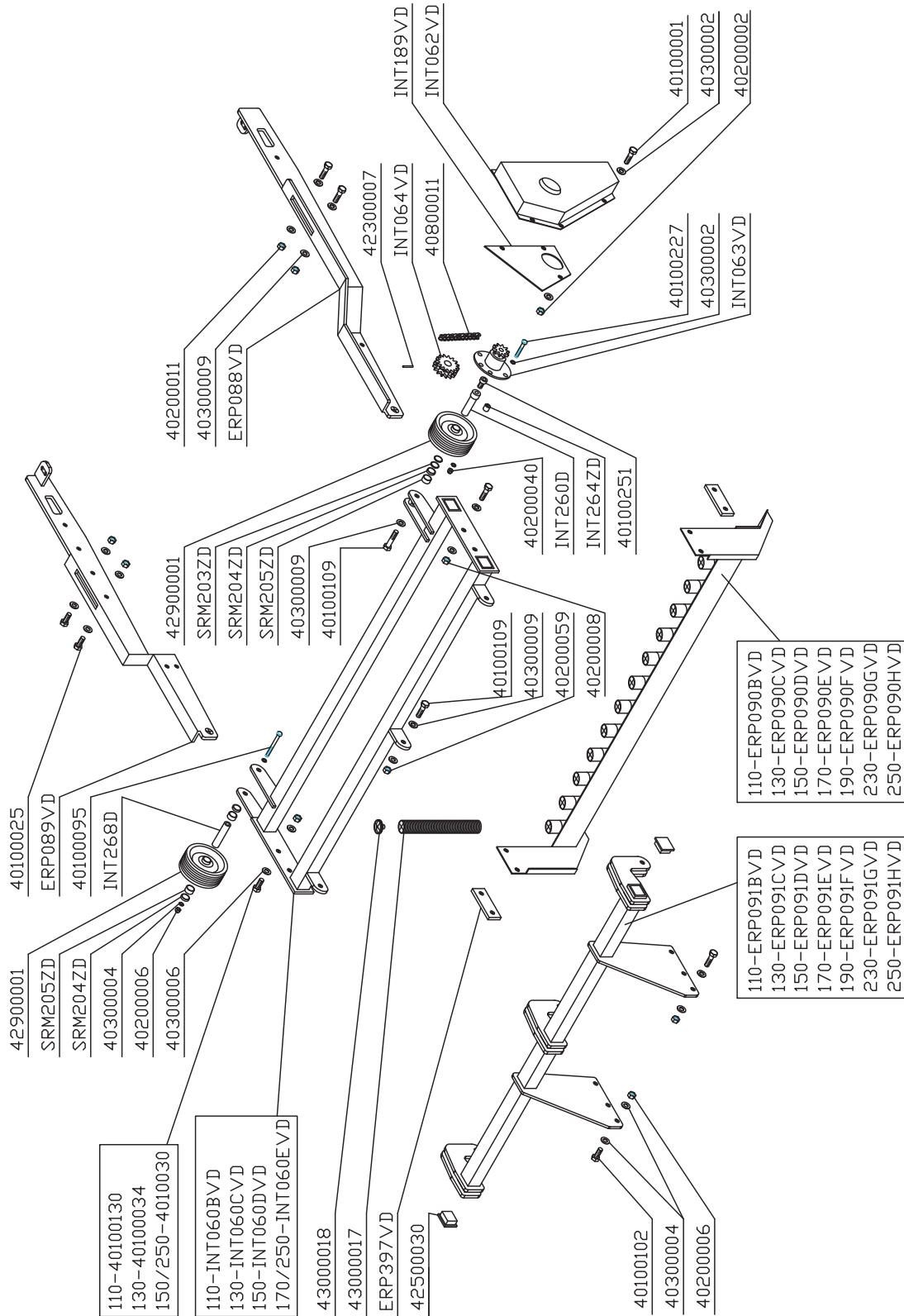


ROTEX H

170 - 190 - 230 - 250

Erpice Rotante
Rotary Harrow
Herse Rotative

SUPPORTO SEMINATRICE - SEEDER HOLDER - SUPPORT SEMOIR

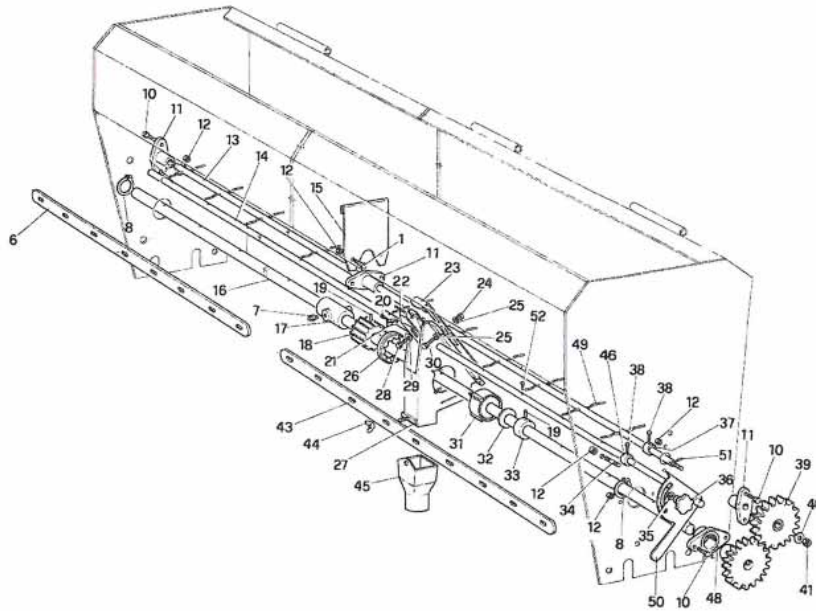




PROFESSIONAL (ROTEX H)

Seminatrice
Seeder
Semoir

TRASMISSIONE - DRIVE TRAIN COMPONENTS - TRANSMISSION (PROFESSIONAL 15)



TELAIO SEMINATRICE - SEEDER FRAME - CHASSIS SEMOIR (PROFESSIONAL 15)

